

JOB NAME _____

CONTACT _____

ORDERING CODE _____



Z15 LED Pendant Cylinder Xicato

XICATO



DESCRIPTION

Z15 is a performance spot fixture in a par20 cylinder form factor integrated with industry best LEDs up to 1470 lm. Z15 has many options for most applications and carries the first 5 Year NO COLOR SHIFT AND FIXTURE WARRANTY.

HOUSING

Extruded aluminum housing with white, matte chrome or black finish

MOUNTING

- Pendants provided with 60" adjustable cord.
- Canopy over a 3-1/2" to 4" recessed octagonal junction box for P mounting option.
- Optional track mounting: Global Trac Systems, GEO track, ECO track / HALO® Power Trac track, and Zonyx track.

LISTINGS

- ETLus Listed to UL1598 (suitable for dry and damp locations)
- ETLus Listed to UL1574 (track suitable for dry locations only)
- cETL Listed to CSA C22.2 #250.0 and #9.0
- Made in the USA - meets the requirements of the Buy American provision within the ARRA

LED INFO

- XICATO XTM:
SDCM = 1x2 MacAdam Ellipse, Duv +/- 0.001, Lumen Maintenance: L₉₀ > 55,000 hrs

XICATO XTM MODULE - ORDERING CODES

PART NUMBER	112250	
LED	XTM19	XICATO XTM 19mm
DELIVERED LUMENS	11LM 835 lm 13LM 950 lm 16LM 1160 lm 20LM ¹ 1470 lm	Standard Configuration: 3000K 83CRI SA20
CCT	27K 2700K 30K 3000K 35K 3500K 40K 4000K	
CRI	83 83 CRI 98 98 CRI	
REFLECTOR & LUMEN MULTIPLIER	SSA20 20° semi-specular (0.92) SSA40 40° semi-specular (0.82) SSA60 60° semi-specular (0.93) SA20 20° specular (1.00) SA40 40° specular (1.00) SA60 60° specular (0.99) DA20 20° diffused (0.86) DA40 40° diffused (0.88) DA60 60° diffused (0.89)	10° narrow beam angle, see page 2 for details.
VOLTAGE	120 UNV 120V-277V	
DIMMING	ELV ² 10V ³	10% trailing edge dimming 0-10V dimming to 10% See Dimming Availability Chart at the bottom of this page for details.
FINISH	BK white WH white MC matte chrome	
MOUNTING OPTIONS	ECOBK ECO/HALO black ECOWH ECO/HALO white GEOBK GEO black GEOWH GEO white ZONMC Zonyx matte chrome P pendant ECOMC ECO/HALO matte chrome GEO MC GEO matte chrome	
LITE OPTICS	CLR	standard snoot / lens

ORDERING CODE

Follow the steps to specify your fixture, example:

112250 - XTM19 - 20LM - 35K - 83 - SSA20 - 120 - ELV - MC - ECOBK - CLR

XTM19 (LED)	POWER		DIMMING AVAILABILITY	
	DELIVERED LM	W (83 CRI)	W (98 CRI)	
835	13	14		
950	15	17		
1160	16	18		
1470	18	N/A		

	ELV	10V
11LM 83	•	
11LM 98	•	
13LM 83	•	•
13LM 98		•
16LM 83	•	•
16LM 98	•	•
20LM 83	•	•
20LM 98		

Power Factor ≥ 0.9

NOTES

1. 20LM not available in 98CRI.
2. ELV dimming only available in 120V.
3. 0-10V dimming only available in UNV voltage with P mount.

10° NARROW BEAM - ORDERING CODES

PART NUMBER	112250	
LED	XTM09	XICATO XTM 9mm
DELIVERED LUMENS	12LM	900 lm
CCT	27K 30K 35K 40K	2700K 3000K 3500K 4000K
CRI	83	83 CRI
REFLECTOR	SA10	10° specular
VOLTAGE	120 UNV	120V 120V-277V
DIMMING	ELV ¹ 10V ²	10% trailing edge dimming 0-10V dimming to 10%
FINISH	BK WH MC	black white matte chrome
MOUNTING OPTIONS	P ECOBK ECOWH ECOMC GEOBK GEOWH GEO MC ZONMC	pendant ECO/HALO black ECO/HALO white ECO/HALO matte chrome GEO black GEO white GEO matte chrome Zonyx matte chrome
LITE OPTICS	CLR	standard snoot / lens

ORDERING CODE

Follow the steps to specify your fixture, example:
112250 - XTM09 - 12LM - 35K - 83 - SA10 - 120 - ELV - MC - ECOBK - CLR

XTM09 (LED)	POWER
DELIVERED LM	W (83 CRI)
900	16

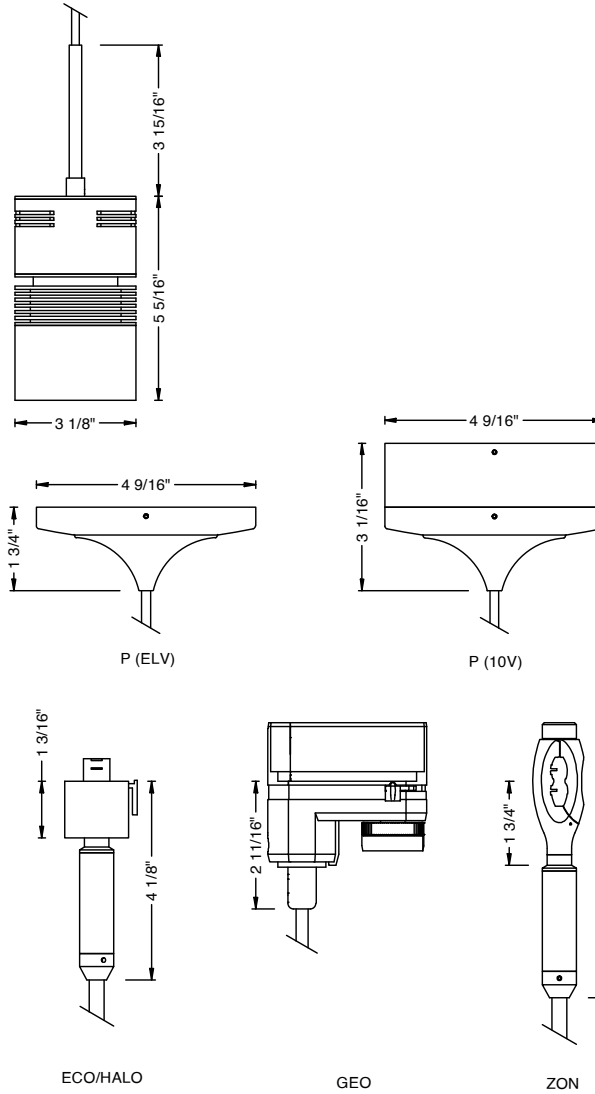
Power Factor ≥ 0.9

- NOTES**
1. ELV dimming only available in 120V.
 2. 0-10V dimming only available in UNV voltage with P mount.

MOUNTING OPTIONS

Mounting Options

P	Pendant
ECOBK	ECO/HALO black
ECOMC	ECO/HALO matte chrome
ECOWH	ECO/HALO white
GEOBK	GEO black
GEOCMC	GEO matte chrome
GEOWH	GEO silver
ZONMC	Zonyx matte chrome



ACCESSORIES

Accessories - Ordering Code

900300BK	snoot, black
900300MC	snoot, matte chrome
900300WH	snoot, white
900310	louver, black
900305BK ¹	barn doors, black
900320	linear lens
900321	diffuser lens
900322	frosted lens

NOTES

1. Barn Doors require 900300 Snoot accessory.



* shown with no accessory



Snoot



Louver



Barn Doors



900321

900322

900320

Lens Options